

*Temperature Transmitters*



**ACI/TT100**  
**ACI/TT1K**



**Product Description**

ACI temperature transmitters are a cost effective, solution for all temperature measurement. The transmitters are accurate, durable, and reliable. Numerous configurations are offered for measurement in many different mediums to satisfy all of the industry standards.

ACI produces two temperature transmitters, the ACI/TT100 for use with a 100 Ohm Platinum RTD input and the ACI/TT1K for use with a 1K Ohm Platinum RTD input. The transmitters produce a linear 4-20 mA output carried on a two-wire system. Optional output voltage ranges of (+1-5 or +2-10 VDC) can also be ordered. The power input to the transmitter may vary from +7 to 35 VDC, can be unregulated, and is not polarity sensitive. The transmitter is supplied factory calibrated, but has zero and span potentiometers for field adjustments or calibration. The transmitter is linear from -50 to 392°F. The current output is unsusceptible to both EMI and measurement resistances less than 800 Ohms.

Additional options include current limiting and AC power.

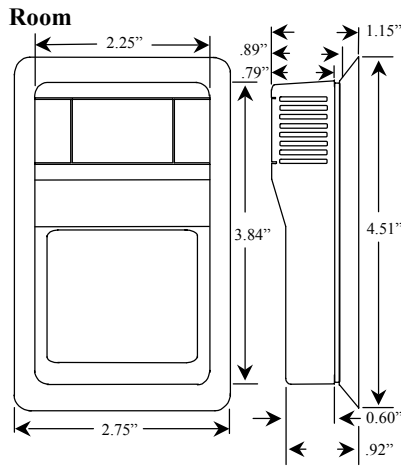
The room transmitter is encased in an unobtrusive plastic enclosure and can be equipped with a 4 to 20mA setpoint and Tenant override combinations. The transmitter can also be ordered on a surface plate, made of either stainless steel or aluminum. For air duct measurements, TT's are offered with 4, 8, 12, and 18" Stainless Steel probes, as a remote probe with 6 foot lead wires, or as a strap-on. Copper Averaging configurations in both 12' and 24' lengths as well as Stainless Steel Rigid Averaging in 18", 24" and 36" lengths. Lastly, the TT's can come as immersion units with 2.5", 4", or 8" high quality stainless steel thermowells. All duct and outdoor air configurations are available inside either a weatherproof or NEMA 4X rated enclosure.

All of these units come with a two year factory warranty. Please contact ACI for more information regarding any special mounting configurations.

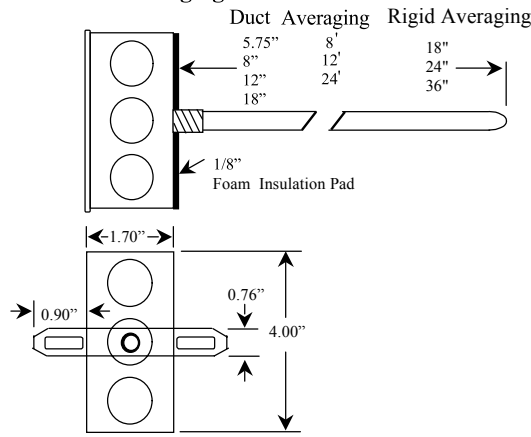
**Product Specifications**

<b>Input</b>	2-wire Platinum 100/1K Ohm Class A RTD	<b>Sensor Operating Range Single Point</b>	-58 to 392°F
		<b>Sensor Operating Range Averaging</b>	-50 to 275°F
<b>Output</b>	2-wire, Linear 4 to 20mA DC Current	<b>Sensor Accuracy</b>	0.06% @ 32°F (Class A)
<b>Supply Voltage</b>	7 to 35 VDC, No Polarity Sensitivity	<b>Accuracy</b>	+/- 0.1% of span
<b>Linearity</b>	+/- 0.05% of span	<b>Transmitter Operating Range</b>	32 to 158°F
<b>Standardization</b>	DIN-IEC-751(formerly DIN 43760)	<b>Temp. Coefficient</b>	0.00385 Ohm/Ohm/°C

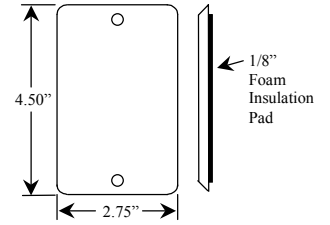
## Dimensions



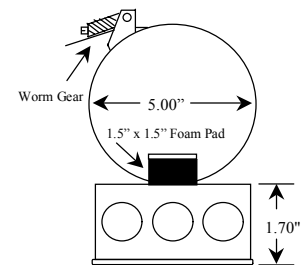
## Duct/Averaging



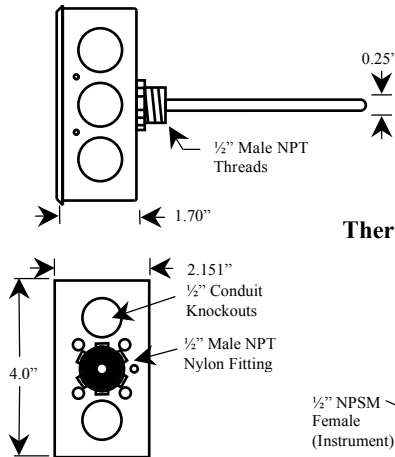
## Stainless Plate



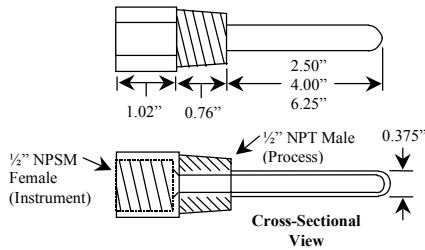
## Strap-On



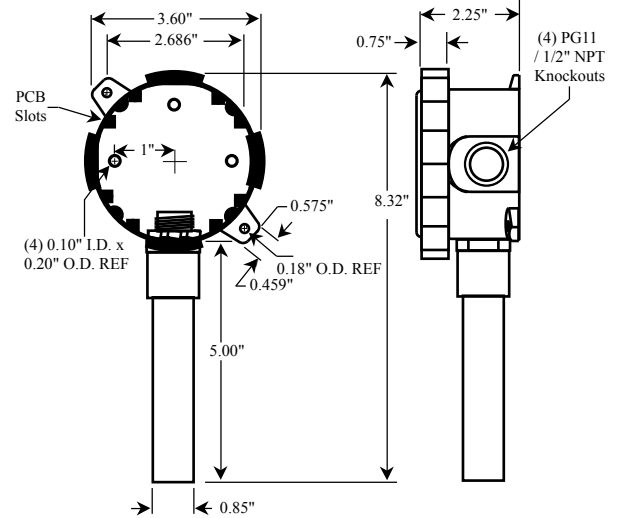
## Immersion



## Thermowell



## Outside Air



## Ordering Information

Sensor Type	Span	Configuration	Output	LCD Display
A/ [ ] [ ]	[ ] [ ]	[ ] [ ]	[ ] [ ]	[ ] [ ]
↑	↑	↑	↑	↑
TT100 (100 Ohm RTD) TT1K (1000 Ohm RTD)	(1) 40 to 90° (2) 30 to 100° (3) 20 to 120° (4) 40 to 140° (5) 40 to 240° (6) -30 to 130° (7) 0 to 150° (8) Specify	R - Room RS - Room w/Setpoint RO - Room w/Override RSO - Room w/Setpoint & Override D - Duct 4", 8", 12", 18" I - Immersion 2.5", 4", 8" A - Averaging 12', 24' RA - Rigid Averaging 18", 24", 36" S - Strap - On O - Outdoor Air RP - Remote Probe 6' Lead wires SP - Stainless Plate	(1) 1 to 5 VDC (2) 2 to 10 VDC (4) 4 to 20 mA	( ) No Display (Standard) (D) With LCD Display

Example: A/TT1K-(40 to 90)-I-4"-(-4) or A/TT100-(2)-RSO-(2)

2305 Evergreen Rd. Middleton Industrial Park Middleton, WI 53562  
PH: (608) 831-2585 FAX: (608) 831-7407